

Z1212 WALL CLOSET SUPPORT SYSTEM



ENGINEERING SPECIFICATION

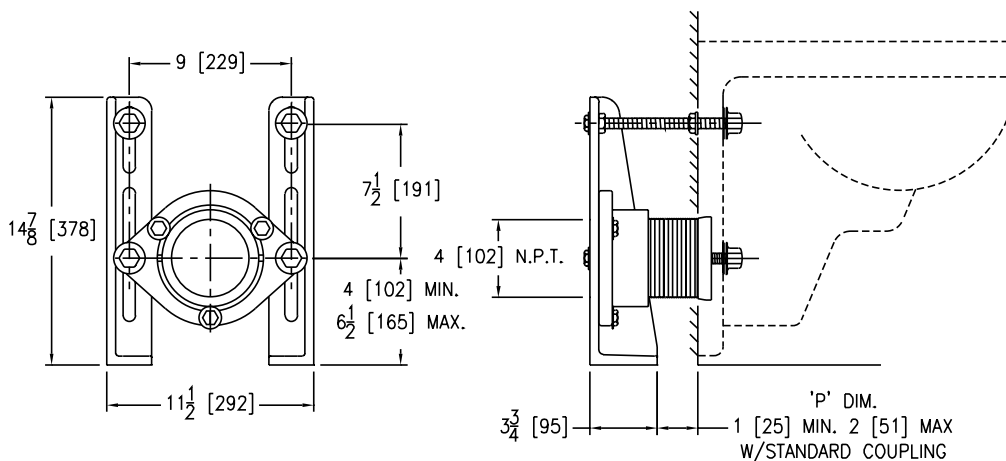
Zurn Z1212 Dura-Coated cast iron wall closet support system comes complete with adjustable faceplate rigidly mounted on reversible foot supports, ABS coupling with integral test cap, fixture bolts, trim, stud protectors, and bonded Neo-Seal gasket.

NOTES

1. For plastic pipe installation, use male thread by socket adaptor – DO NOT THREAD PLASTIC PIPE. (Per ASTM Specification #D2665 X1.6.1.)
2. Piping must be rigidly secured to prevent deflection (by others).

Product Number	Approximate Weight lb [kg]
Z1212	30 [14]

PREFIXES	DESCRIPTION	PIPE SIZE	LIST PRICE
Z1212	D.C.C.I. System with 4" Adjustable Coupling	4"	861.00
SUFFIXES			ADD
-B	Adapter for Blowout Type Fixture Support		N/C
-CL	Custom length greater than 12" - Per Inch (Specify Length)		102.00
-F	Floor Mounted, Back Outlet Fixture Support		158.00
-VP	Vandal-Proof Finish Trim		137.00
-X4	4" Foot Extension Assembly		115.00
⌚ -45	Finishing Frame for Siphon Jet System (For Blowout System specify -45-B)		84.00
BEST SELLERS			LIST PRICE
Z1212-B			861.00
Z1212-F			1,018.00



Items designated as Best Sellers are most specified and are generally in stock for shipment.

⌚ This symbol denotes a product that is engineered to reduce installation and rework time.

For Additional System Tools See "Z1200 Carrier Tools and Accessories" on page 214

*Regularly furnished unless otherwise specified.

For additional product information, please visit www.zurn.com